

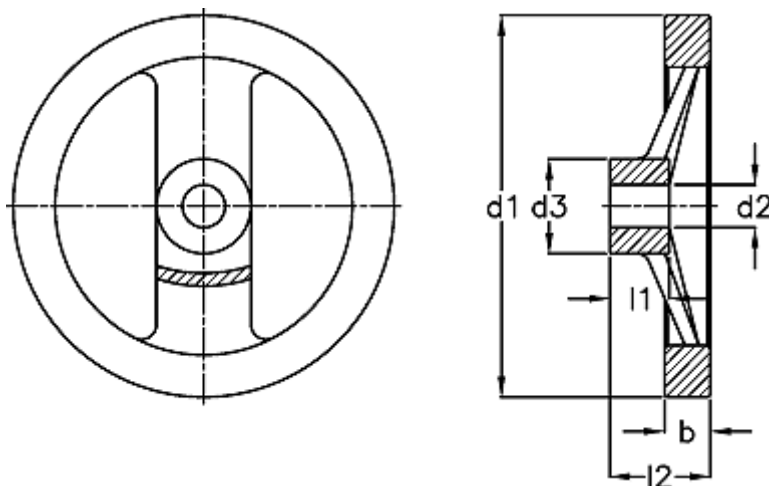
# Data Sheet



Article number: 20374299

Description: E+G Handwheel  
GN 324-125-K12-A

## Measures



b = 15.0

d1 = 125

d2 H7 = 12

d3 = 31

l1 = 18

l2 = 33